



Tork Bath Tissue Jumbo Roll Twin Dispenser:
T22 System: 56TR (smoke)

Jumbo Bath Tissue Product Options:

TJ0921A (Tork Advanced, 2 Ply, 1000')
TJ0912A (Tork Universal, 1 Ply, 2000')
TJ0922A (Tork Universal, 2 Ply, 1000')
TJ0924 (Tork Universal, 2 Ply, 1000')
TJ0928 (Tork Universal, 2 Ply, 750')

Dispenser Dimensions HxWxD (Inches):

11.83 x 19.29 x 5.51 (30.05 x 49.0 x 14.0 cm)

Dispenser Capacity: 2 Rolls



Key # 14

Loading Instructions

1. To fill dispenser after mounting: Insert key in slot on top of unit and push down. Cover will open forward. Insert 9" JRT rolls on roll support. Close cover.
2. When the roll on the left-hand side is completely dispensed, push the access door all the way to the left until it locks into place. The roll on the right-hand side will now be accessible.
3. To replenish rolls: Open cover. Be careful of the access door if on the left-hand side because it will automatically reset to the right-hand side when the cover is opened (make sure nothing is in the way of the door or in the opening at the bottom of the dispenser). If there is still paper on the right-hand side roll, move that roll to the left roll support and place a new roll on the right roll support. Close cover.

INSTALLATION INSTRUCTIONS

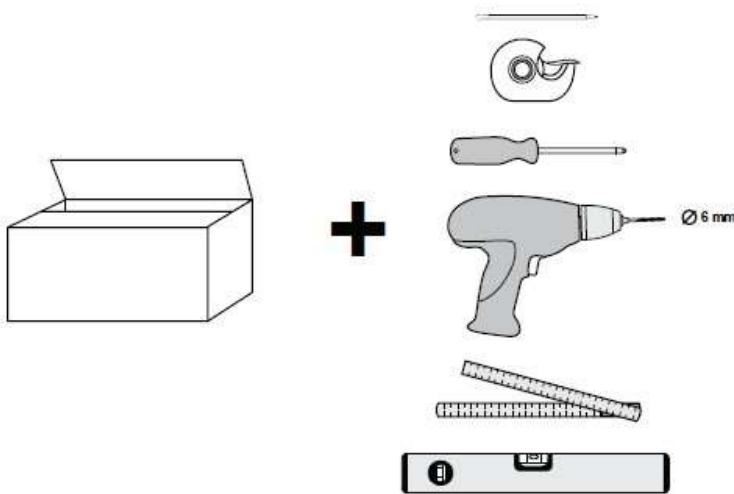
The user is responsible for the proper installation and use of this dispenser.

NOTE: Hardware is not included with your product.

Equipment needed:

- Measuring tape
- Level
- Drill
- Drill bit suitable for appropriate wall mounting hardware.
- Screwdriver
- Pencil
- Eye protection
- Assemble appropriate fasteners (screws, bolts, anchors, washers, etc.) for mounting.

1. Determine position on wall/surface with unit open. Through the holes at the back of the unit, use pencil to mark the spots where the drilling will be necessary. Try to mark spots as close as possible to the outer edges.
2. Drill the marked spots on the wall/surface with drill bit.
3. Complete the installation. Be sure to use fasteners (and anchors) in all mounting holes that are appropriate for the wall/surface to which the dispenser will be mounted. Use hardware included with the unit if it was factory supplied. The installation should be done with a flat washer between the head of the fastener and the inside back of the dispenser.



Preventive Maintenance

The 56TR should be cleaned any time there is heavy paper dust build-up inside the dispenser. If paper dust is not a problem, approximately every year is a good frequency for cleanings. The following is the recommended procedure to cleaning:

- 1) Open the dispenser and remove the rolls of paper.
- 2) Clean out any paper dust. This can be done in several ways, such as, vacuuming, blowing out with a can of compressed air (wear safety glasses), wiping out with a damp cloth, etc.

3) Clean the cover with a general all-purpose cleaner that is safe for plastics.

Troubleshooting

Problem: Any paper-related problem.

- ✓ Take note of the date code on the outside of the case of paper product. Then contact the Essity Quality Coordinator and explain the problem.

Problem: Any other problem not stated above.

- ✓ Contact the Essity Quality Coordinator.

Contacting Essity

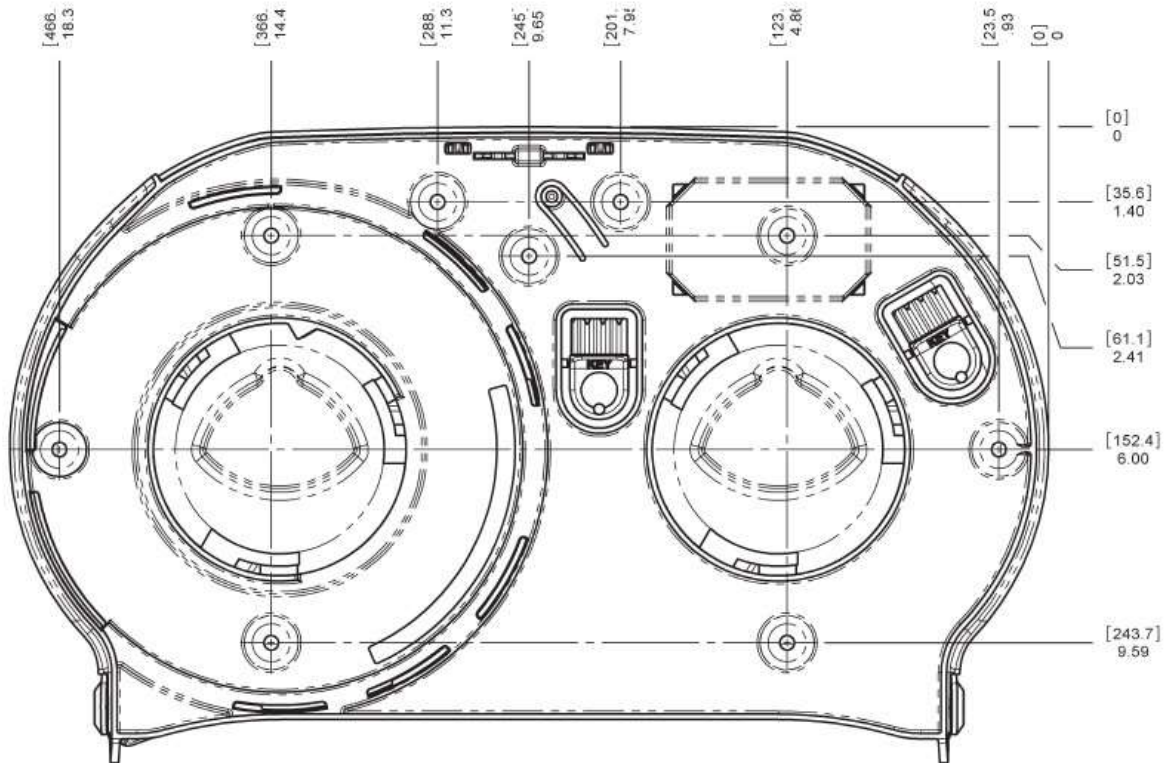
Product Code Date Location: Open dispenser, take out any paper. Look on back wall of dispenser for circles (like shown on the right) molded into unit. The circle on the right shows an arrow pointing to the month, with the year in the center of circle. The left circle shows the day of month. Some dispensers may not have the day circle, but should have the month and year circle.



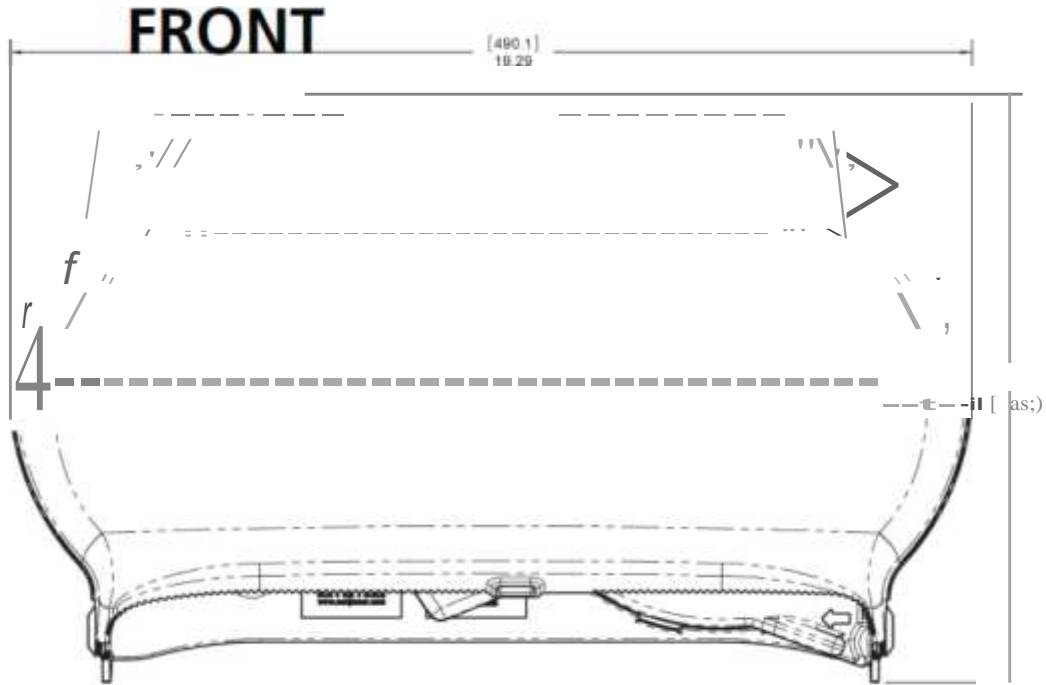
To contact the Essity Quality Coordinator, dial 1-866-722-6659 and press 6. If asked for the date code on the dispenser, see instructions below.

56TR – Tork Bath Tissue Jumbo Roll Twin Dispenser 9” Mounting Instructions

BACK



56TR-Tork Bath Tissue Jumbo Roll Twin Dispenser 9" Mounting Instructions



SIDE

[139.8]
5.51

